



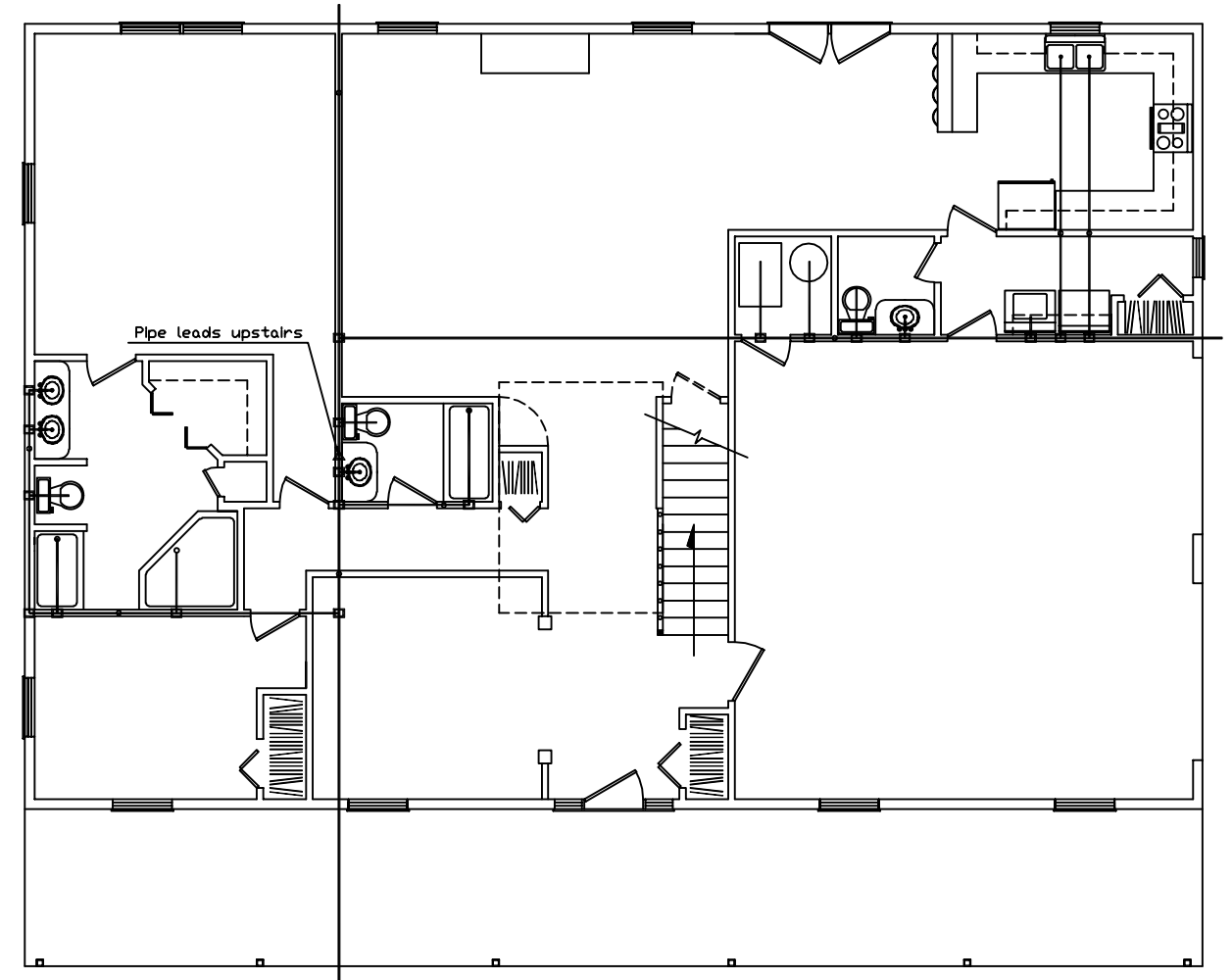




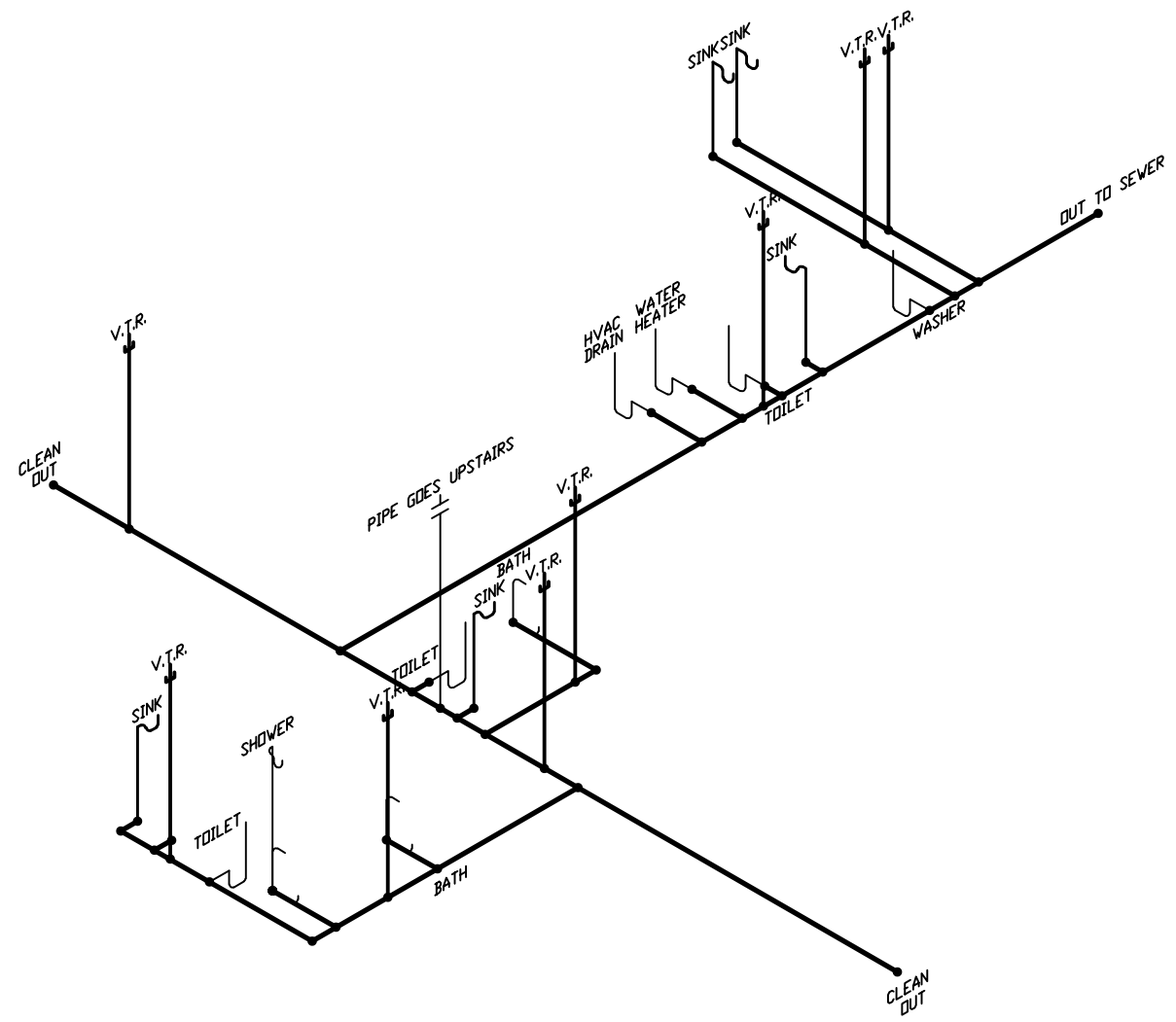




**DISCLAIMER:**  
THIS FLOOR PLAN IS FOR REFERENCE ONLY.  
LOCAL BUILDING CODES AND REGULATIONS  
MAY CONFLICT.



MAIN FLOOR PLAN



ISOMETRIC VIEW OF DRAIN SYSTEM  
(NOT TO SCALE)

- NOTES:**
- 1) MAIN SEPTIC LINE OUT OF HOME IS 4" #.
  - 2) ALL VENT PIPES ARE 3" AND 2"
  - 3) ALL WATER CLOSET DRAINS ARE 3" #.
  - 4) LAVATORY DRAINS ARE 2" # AT WALL.
  - 5) BATH TUB DRAINS ARE 3" #.
  - 6) AIR CONDITIONING DRAIN IS 1 1/2" #.

| REVISIONS |      |             |    |      |
|-----------|------|-------------|----|------|
| NO.       | DATE | DESCRIPTION | BY | CK'D |
|           |      |             |    |      |
|           |      |             |    |      |
|           |      |             |    |      |
|           |      |             |    |      |

**KODIAK STEEL HOMES**  
Kodiak Steel Homes, Inc  
7301 Industry Drive  
North Little Rock, AR 72117

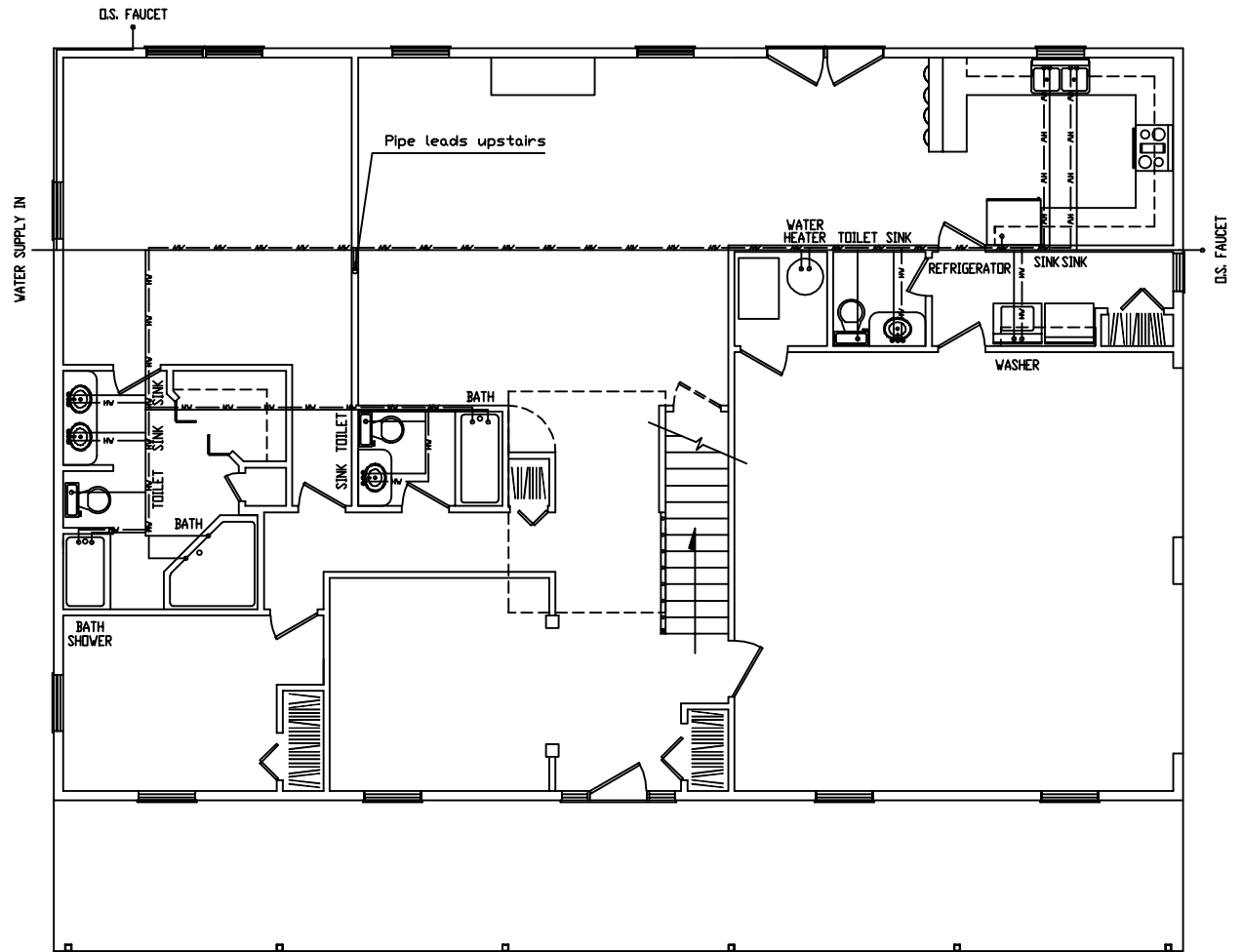
DESCRIPTION: DOWNSTAIRS SEWER PLUMBING PLAN

STYLE: CRESTWOOD 4      SIZE: 40'-0" X 60'-0"

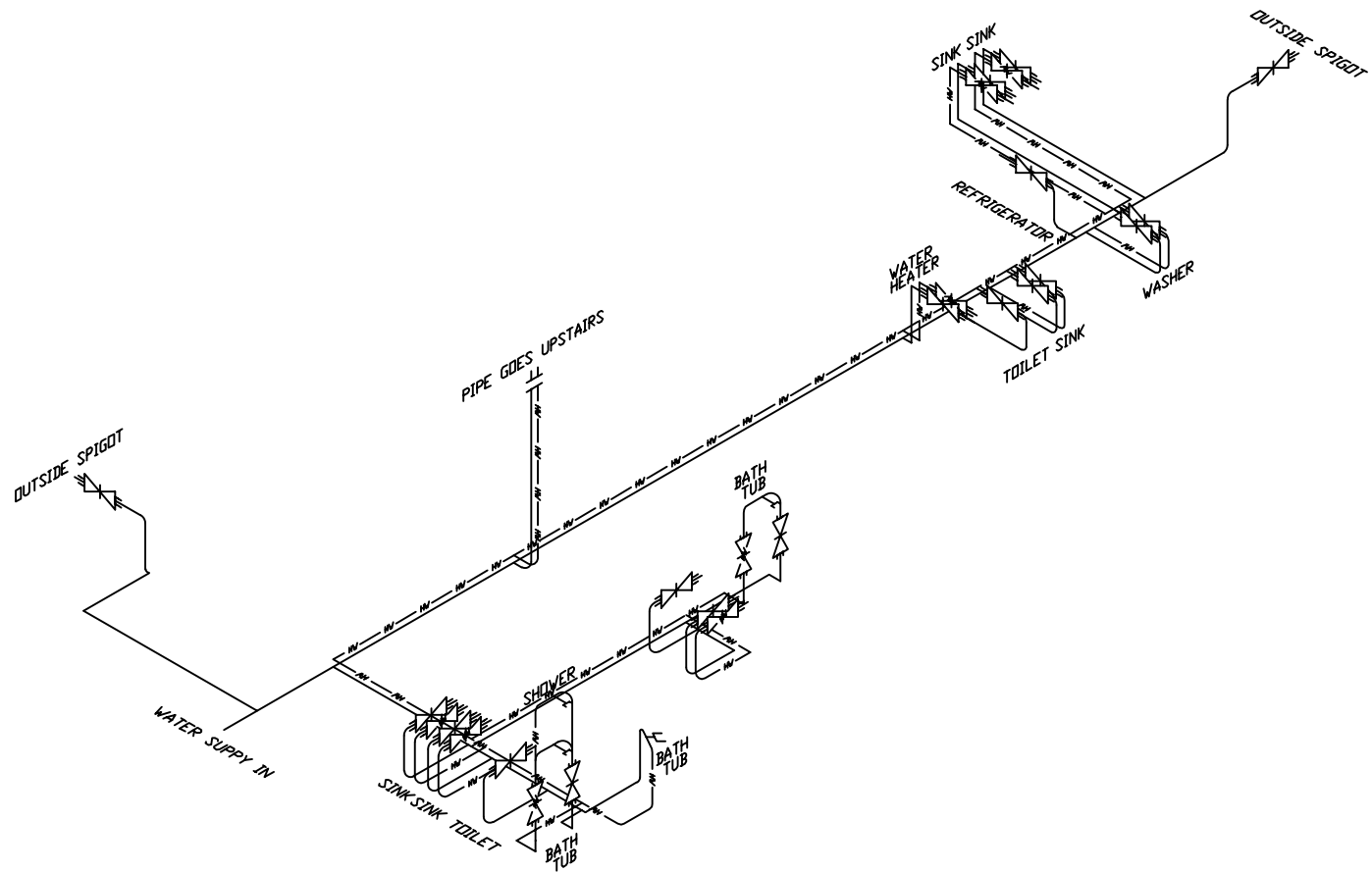
|         |         |       |       |      |           |        |
|---------|---------|-------|-------|------|-----------|--------|
| DRN. BY | CK'D BY | DATE  | SCALE | CODE | SHEET NO. | REV. # |
| EAP     | HDS     | 04/03 | NTS   | CU4  | 16 OF 10  |        |



**DISCLAIMER:**  
 THIS FLOOR PLAN IS FOR REFERENCE ONLY.  
 LOCAL BUILDING CODES AND REGULATIONS  
 MAY CONFLICT.



MAIN FLOOR PLAN



ISOMETRIC VIEW OF WATER SYSTEM  
 (NOT TO SCALE)

**NOTES:**  
 1) MAIN WATER LINE IN TO HOME IS 1" Ø.  
 2) ALL WATER LINES ARE 3/4" Ø PAST  
 WATER HEATER.  
 3) APPLIANCE HOSES ARE BY APPLIANCE  
 MANUFACTURE.

| REVISIONS |      |             |    |      |
|-----------|------|-------------|----|------|
| NO.       | DATE | DESCRIPTION | BY | CK'D |
|           |      |             |    |      |
|           |      |             |    |      |
|           |      |             |    |      |
|           |      |             |    |      |

**KODIAK STEEL HOMES**  
 Kodiak Steel Homes, Inc  
 7301 Industry Drive  
 North Little Rock, AR 72117

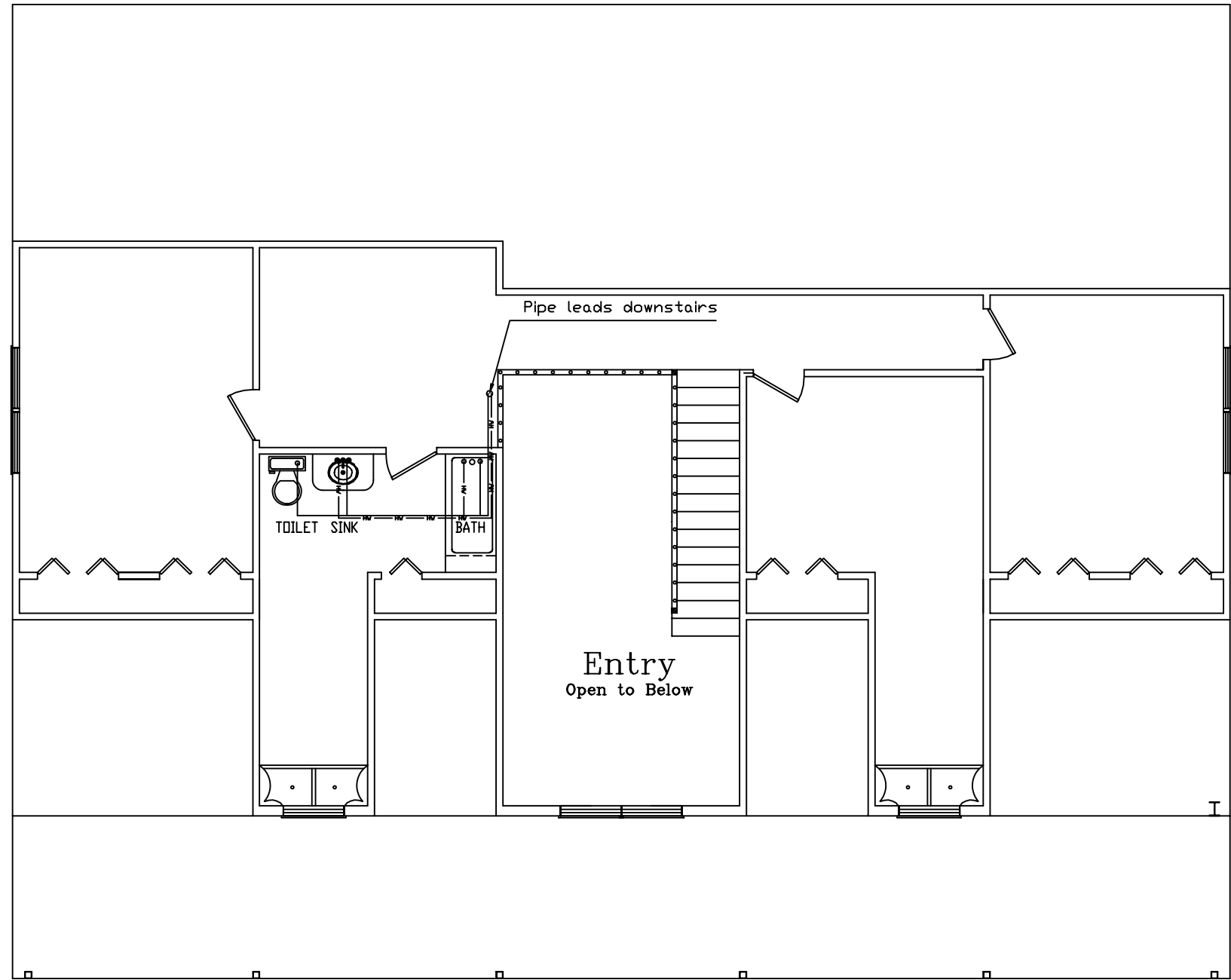
DESCRIPTION: DOWNSTAIRS WATER PLUMBING PLAN

STYLE: CRESTWOOD 4      SIZE: 40'-0" X 60'-0"

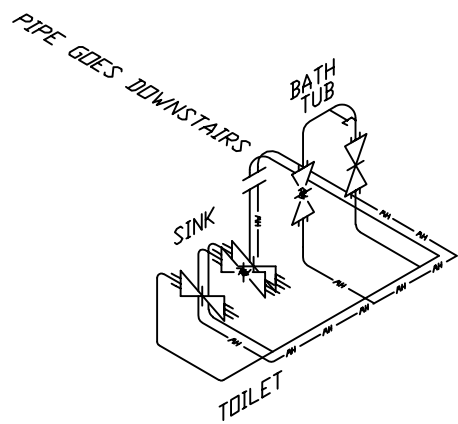
| DRN. BY | CK'D BY | DATE  | SCALE | CODE | SHEET NO. | REV. # |
|---------|---------|-------|-------|------|-----------|--------|
| EAP     | HDS     | 04/03 | NTS   | CU4  | AB OF 10  |        |



**DISCLAIMER:**  
 THIS FLOOR PLAN IS FOR REFERENCE ONLY.  
 LOCAL BUILDING CODES AND REGULATIONS  
 MAY CONFLICT.



UPPER FLOOR PLAN



ISOMETRIC VIEW OF WATER SYSTEM  
 (NOT TO SCALE)

- NOTES:**
- 1) MAIN WATER LINE IN TO HOME IS 1" Ø.
  - 2) ALL WATER LINES ARE 3/4" Ø. PAST WATER HEATER
  - 3) APPLIANCE HOSES ARE BY APPLIANCE MANUFACTURE.

| REVISIONS |      |             |         |
|-----------|------|-------------|---------|
| NO.       | DATE | DESCRIPTION | BY CK'D |
|           |      |             |         |
|           |      |             |         |
|           |      |             |         |
|           |      |             |         |

**KODIAK STEEL HOMES**  
 Kodiak Steel Homes, Inc  
 7301 Industry Drive  
 North Little Rock, AR 72117

DESCRIPTION: UPSTAIRS WATER PLUMBING PLAN

STYLE: CRESTWOOD 4      SIZE: 40'-0" X 60'-0"

|         |         |       |       |      |           |        |
|---------|---------|-------|-------|------|-----------|--------|
| DRN. BY | CK'D BY | DATE  | SCALE | CODE | SHEET NO. | REV. # |
| EAP     | HDG     | 04/03 | NTS   | CU4  | AS OF 10  |        |

